

05.02

CATÁLOGO DE PRODUCTOS

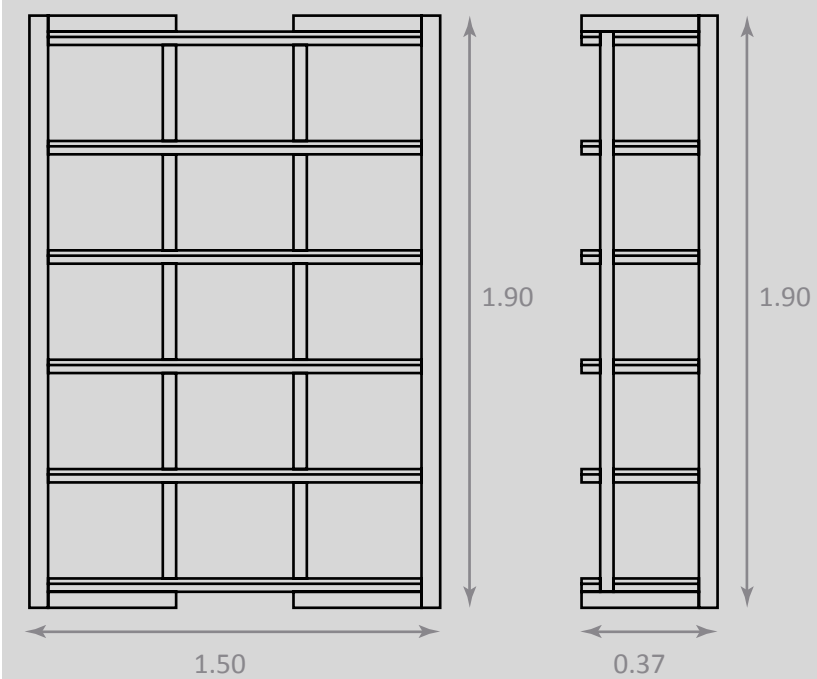
BIBLIOTECAS
ESCRITORIOS
JUEGOS DE
DORMITORIO
CAMAS

Walmer



BIBLIOTECAS

Biblioteca EPREL

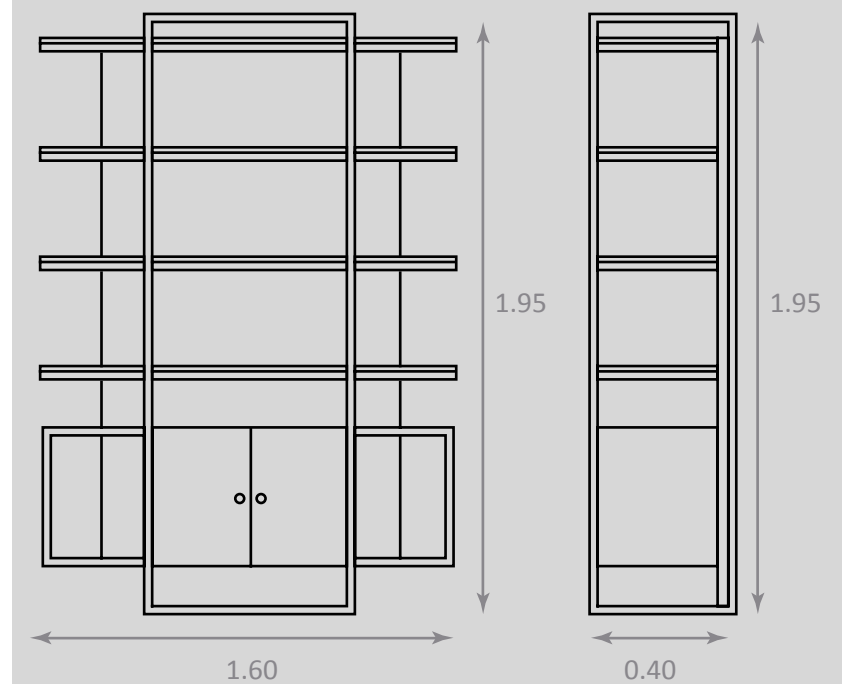


CUERPO / PATAS roble o nogal teñido.

ESTANTES roble, nogal, laca, microtextura.



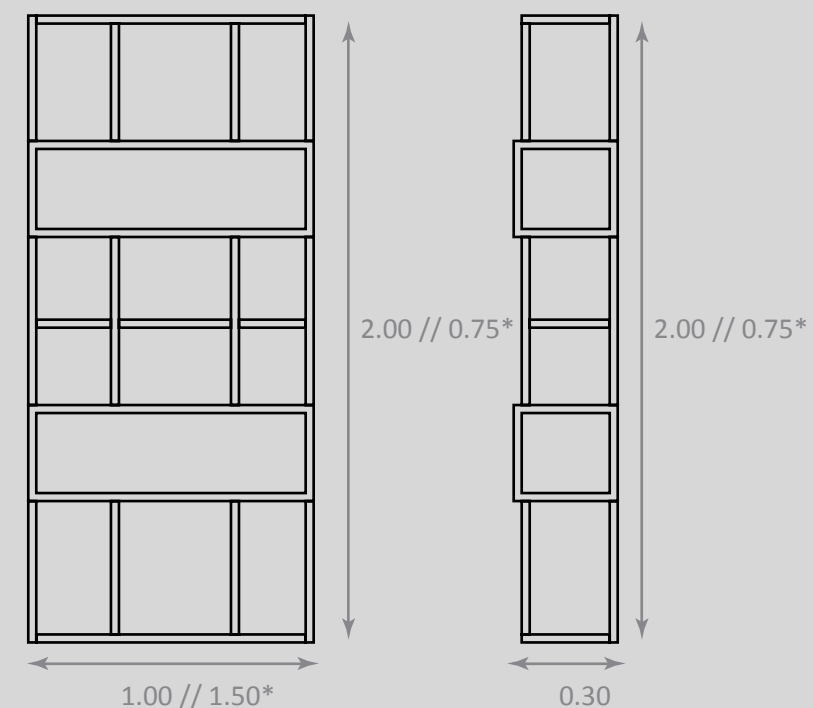
Biblioteca EUGIN



CUERPO roble, nogal, laca, microtextura.
ESTANTES roble, nogal, laca, microtextura.
PATAS acero pintado.



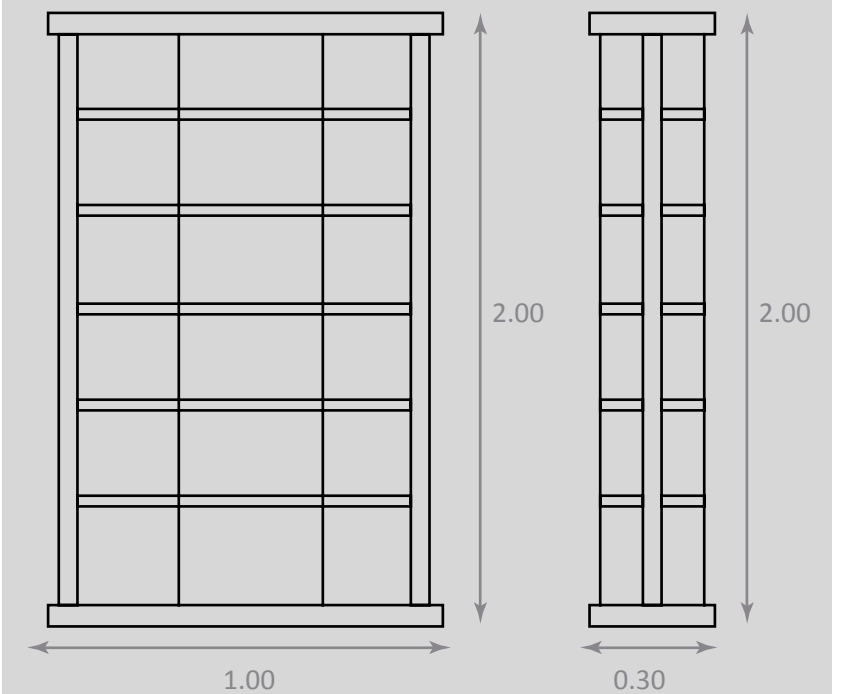
Biblioteca DOROTEA



ESTRUCTURA acero.
ESTANTES madera.
PATAS acero pintado.



Biblioteca DOLY



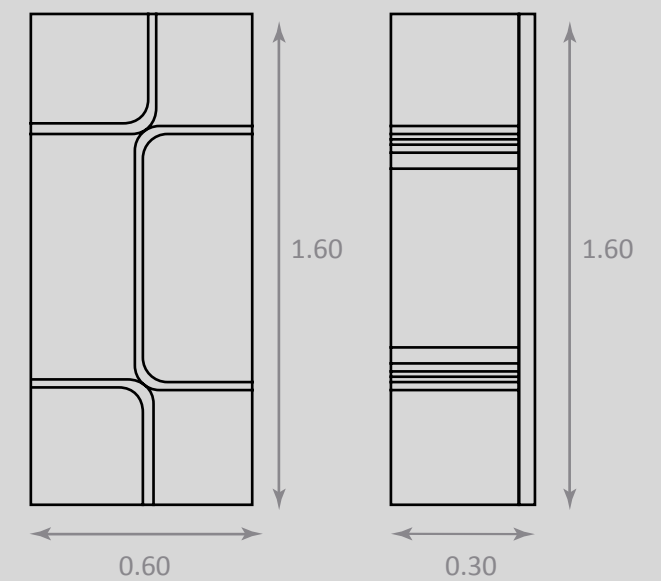
ESTRUCTURA acero.
ESTANTES madera.
PATAS madera.



Biblioteca DOLY | NEW COLLECTION

Walmer

Biblioteca VENANCIO

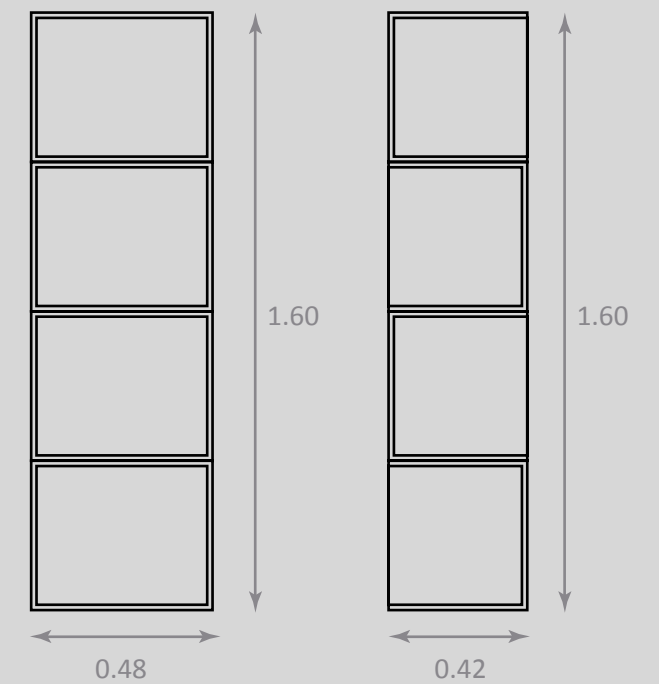


ESTRUCTURA madera contrachapada, roble, nogal,
microtextura, laca.

ESTANTES madera contrachapada, roble, nogal,
microtextura, laca.



Biblioteca VIGO



ESTRUCTURA madera contrachapada, roble, nogal,
microtextura, laca.

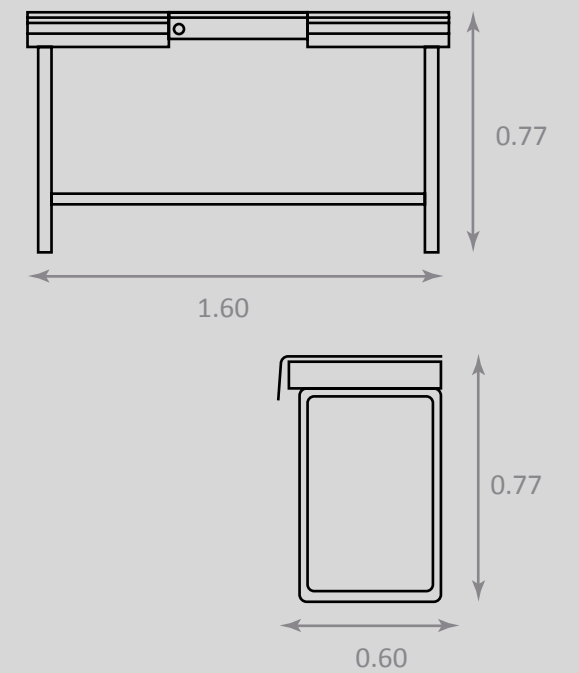
ESTANTES madera contrachapada, roble, nogal,
microtextura, laca.



A large, light gray, stylized number '4' is centered on a white background. The number is composed of thick, solid lines. The top bar is horizontal, the middle bar is horizontal, and the bottom bar is horizontal. The vertical stem is on the left side. The number is positioned such that the text 'ESCRITORIOS' is centered within its middle bar.

ESCRITORIOS

Escritorio EVO

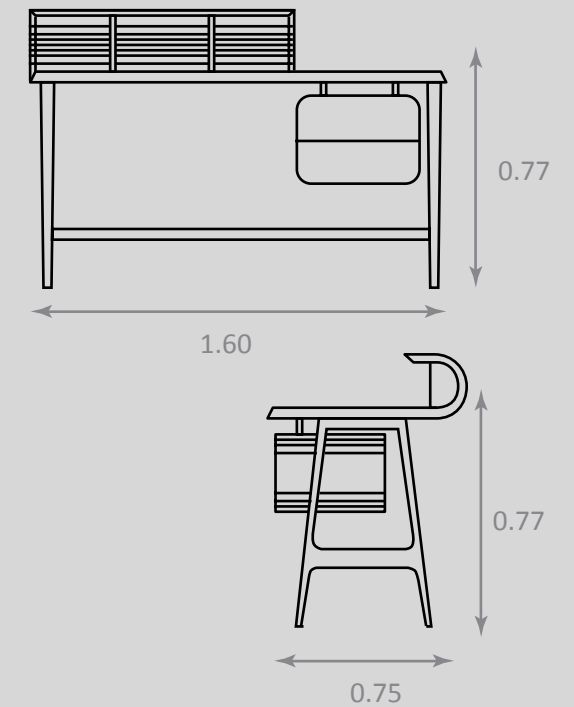


CUERPO roble, nogal, laca, microtextura.

PATAS madera teñido o microtextura.



Escritorio ERACLIO



CUERPO roble, nogal, laca, microtextura o vidrio.

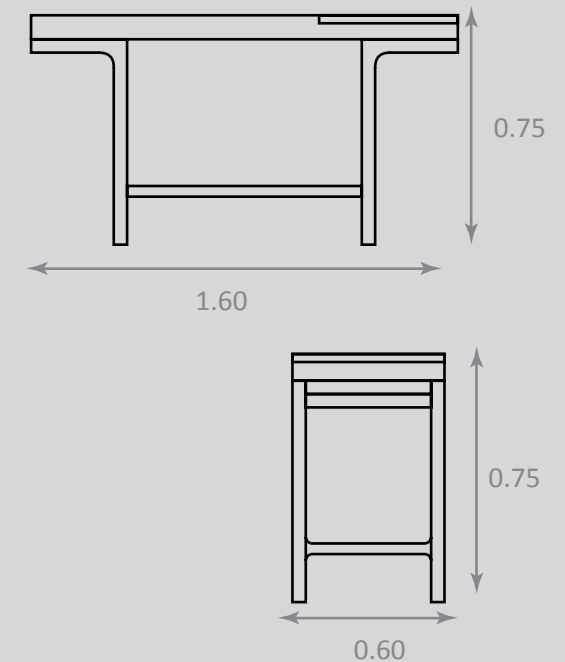
PATAS madera teñido o microtextura.



Escritorio ERACLIO | NEW COLLECTION

Walmer

Escritorio ERASMUS



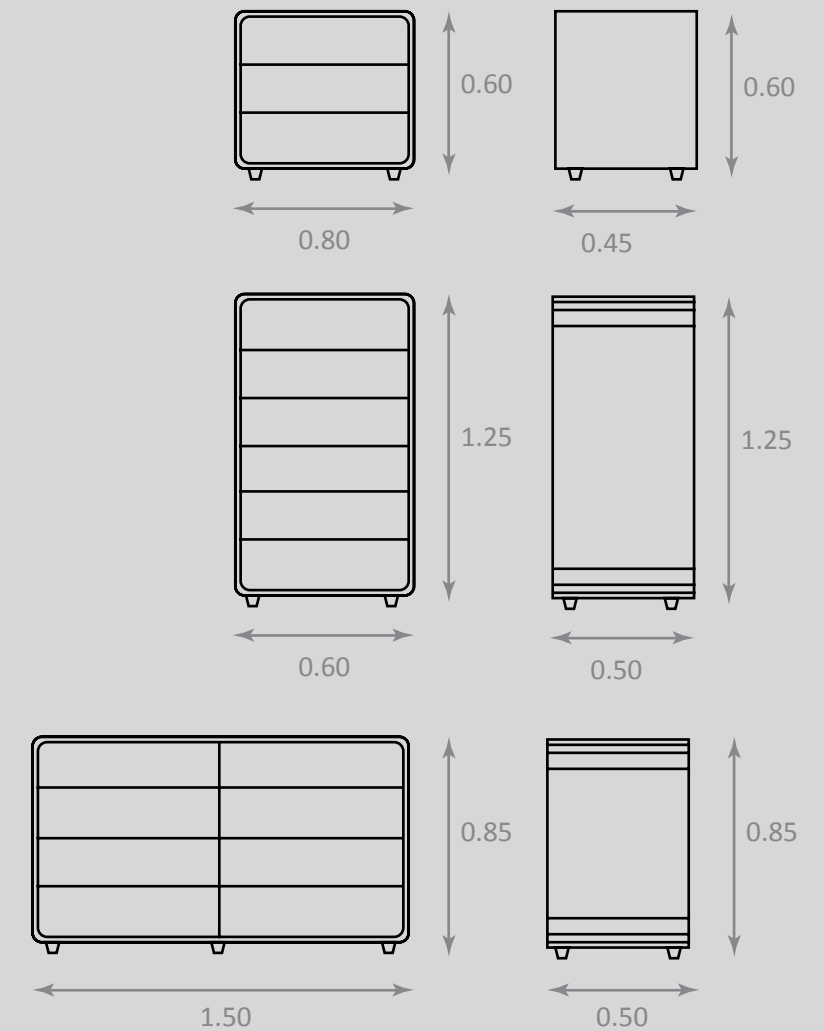
CUERPO roble, nogal, laca, microtextura o vidrio.
PATAS madera teñido o microtextura.



A large, light gray, stylized number '4' is positioned in the background, centered vertically and horizontally. The number is composed of thick, solid lines. The first vertical stroke is on the left, the second vertical stroke is in the middle, and the diagonal stroke crosses from the top right to the bottom left, passing between the two vertical strokes.

JUEGOS DE DORMITORIO

Juego de dormitorio EVEL

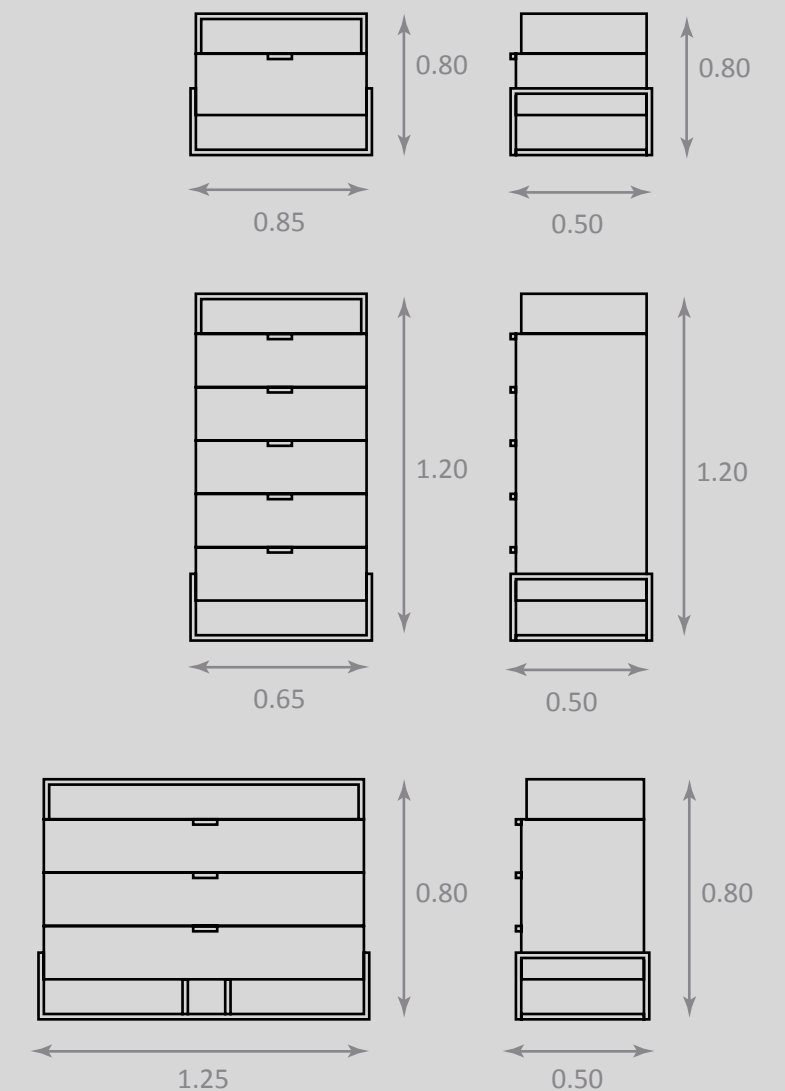


CUERPO micro textura, laca brillo, lámina natural de roble o nogal o vidrio.

PATAS metal pintado.



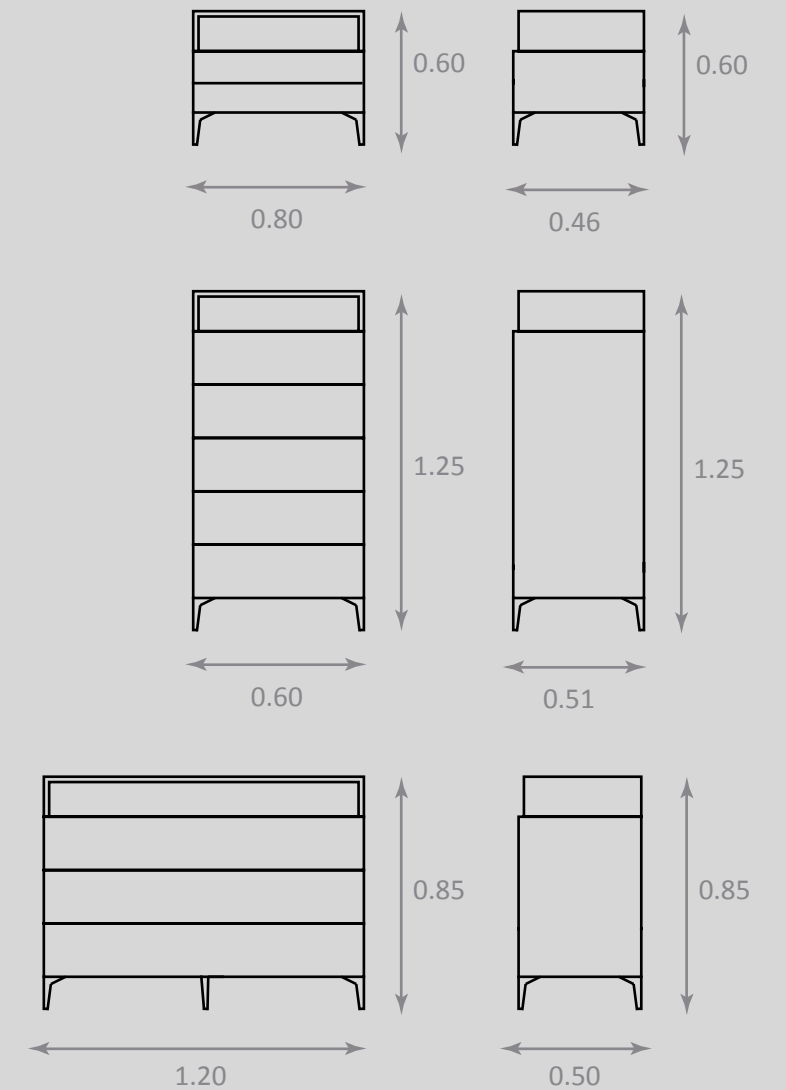
Juego de dormitorio ELMER



CUERPO micro textura, laca brillo, lámina natural de roble o nogal o vidrio.
PATAS metal pintado.



Juego de dormitorio ERMEST

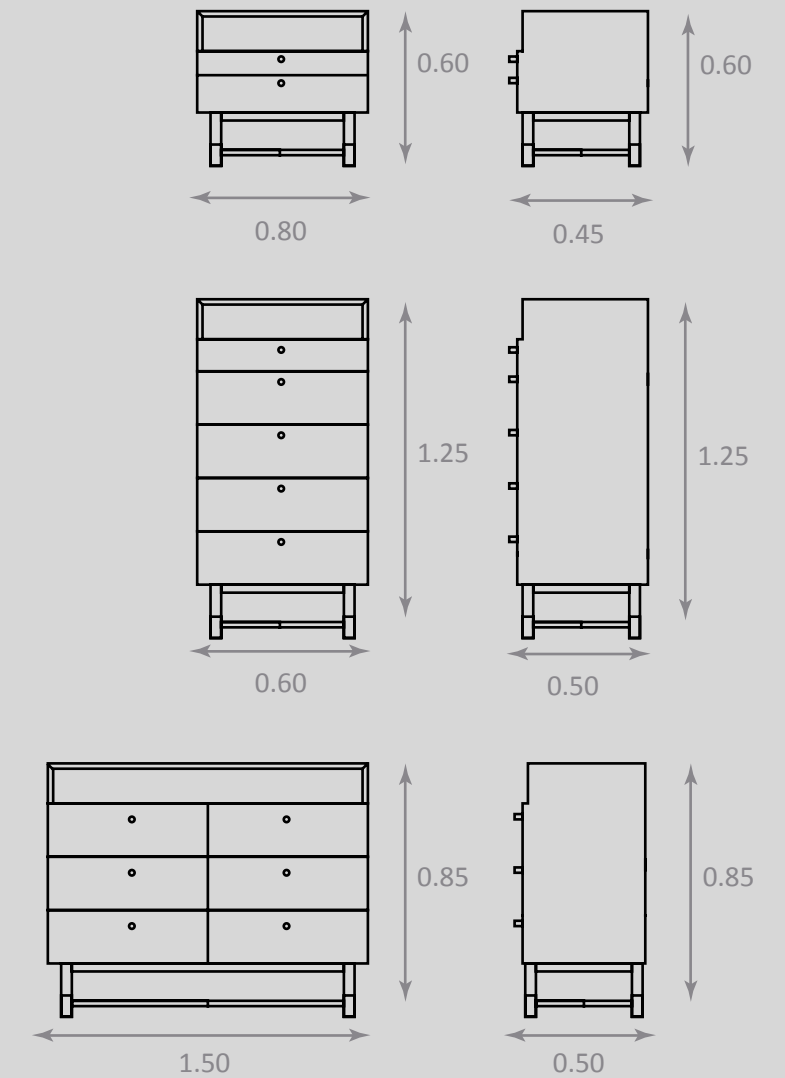


CUERPO micro textura, laca brillo, lámina natural de roble o nogal o vidrio.

PATAS metal pintado.



Juego de dormitorio ERIM



CUERPO micro textura, laca brillo, lámina natural de roble o nogal o vidrio.

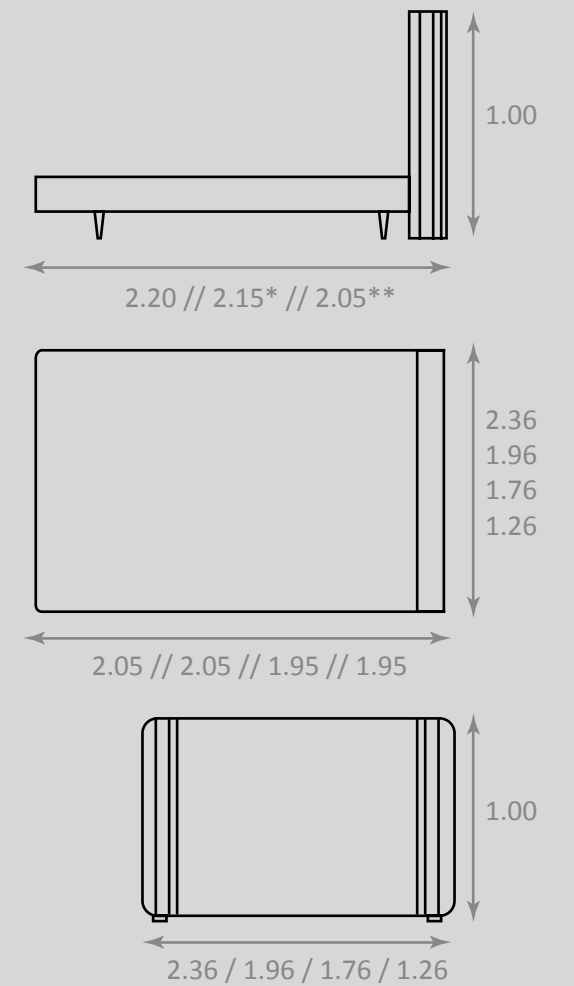
PATAS micro textura, laca brillo, lámina natural de roble o nogal.



A large, light gray, stylized letter 'W' that serves as a background for the text. The 'W' is composed of four diagonal strokes meeting at a central vertical stem.

CAMAS

Cama EPIANA

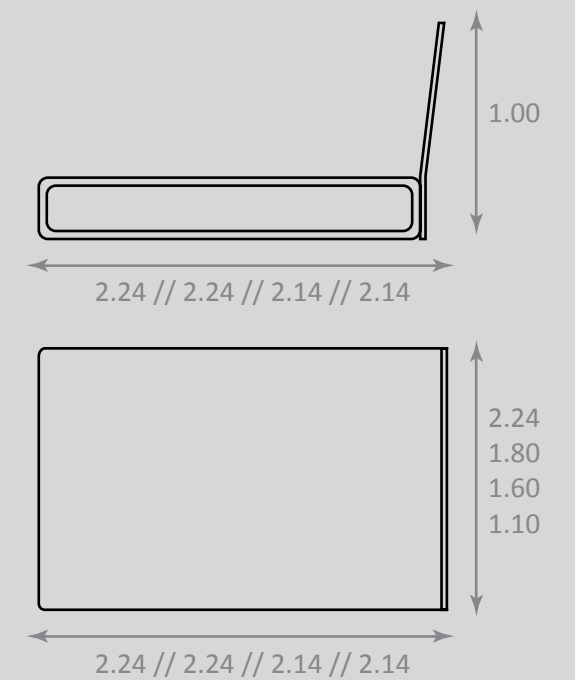


RESPALDO roble, nogal, laca o microtextura.

PATAS madera teñida, laca o microtextura.



Cama ENIDAN



CUERPO / PATAS roble, nogal, laca o microtextura.



Cama ENIDAN | NEW COLLECTION

Walmer

A large, light gray, stylized number '4' is centered in the background of the image. The number is composed of three thick, diagonal strokes. The first stroke is a vertical line on the left. The second stroke is a diagonal line from the top-left to the bottom-right, crossing the vertical line. The third stroke is a diagonal line from the top-right to the bottom-left, crossing the second stroke. The overall effect is a minimalist, geometric design.

GRACIAS POR ELEGIRNOS